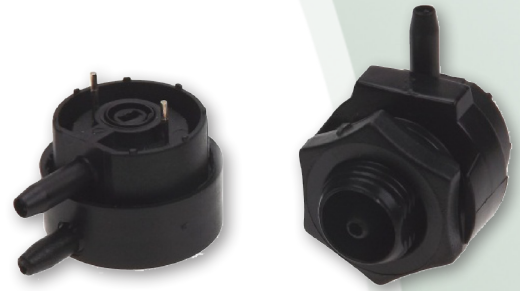


# 6891 & 6893 PCB Mounting Airswitch (slow make contacts)

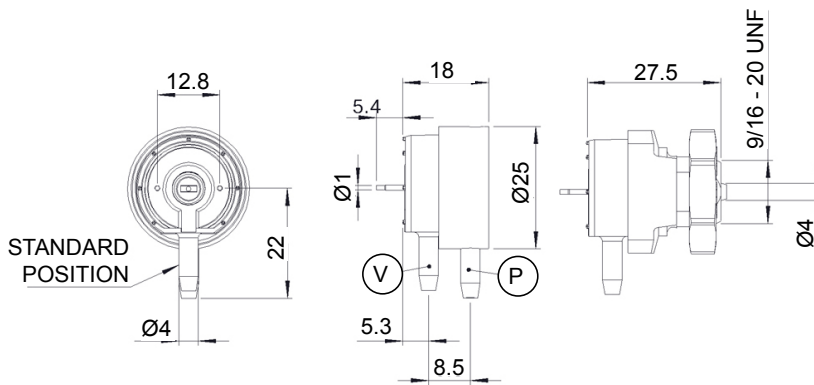
# herga

Technology Ltd

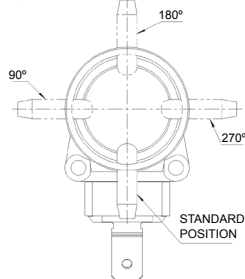
- A range of small switches designed for direct mounting on printed circuit boards
- UL versions available upon request
- Low pressure switching
- Available with back or side tube entry
- Silver or gold contact options
- Switches can be factory set within specified tolerances
- Various spout orientations available



## Reference dimensions



Side entry cap positions



The body construction allows the two ports to be set at any angle to each other.

## 6891 & 6893 - Range options and specifications

Model No.	6891 standard	6893 sensitive
Nominal set point	mbar 37 or 62	15 or 25
Maximum Hysteresis	mbar	0.15
Body withstand pressure	mbar	2,040
flow rate litre/min (with temperature compensation)	mbar	8 – 30cc/min @ 77
Pressure connection	back & side entry spout, Ø4mm back entry Ø2mm only	
Connecting tube reference	2311-01 / 2311-08 to suit Ø4mm spout 2311-03 to suit Ø2mm spout	
Diaphragm	Silicone	
Mechanical life	1 x 10 <sup>6</sup> cycles	

Model No.	6891 standard	6893 sensitive
<b>Electrical data</b>		
Contact configuration	SPST N/O	
Contact plating	Silver	Gold
Contact rating	Min. 10mA 24V DC	10mA 24V DC
	Max. 0.5A 250V AC	0.5A 250V AC
UL Approved Versions	Max. 50mA 250V AC	10mA 24V DC

## General specifications

Standards/approvals	UL 508 specific models only
Degree of protection	n/a
Connection method	Back & side entry spout, Ø2 or Ø4 mm
Electrical rating	See table
Contact configuration	SPST N/O

Pressure range	n/a
Operating temperature range	-10°C to +85°C (flow solder 220°C for 5 sec)
Body material	Thermoplastic
Weight	0.008 kg
Additional information	For pressure or vacuum versions see 6763/6761 in Pressure/Vacuum section. Temperature compensated versions available upon request

