

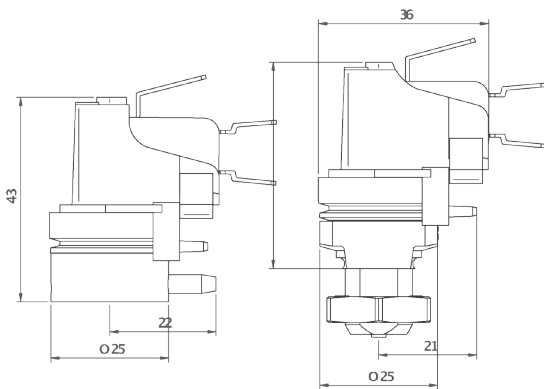
6773 Double Diaphragm Pressure Switch **herga**

Technology Ltd

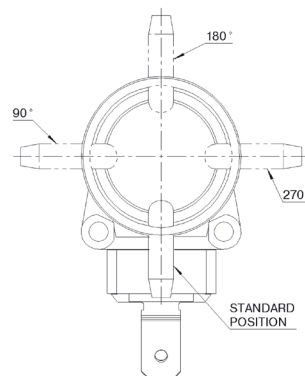
- Double insulated for conductive media
- Multiple cap and spout options available
- Gold contacts available
- Other pressures available up to 690 mbar
- Temperature compensation options available



Reference dimensions



SE Cap Positions



General specifications

Standards/approvals	EN 60335-2-60
Degree of protection	N/A
Connection method	Via back or side entry spouts, 4 mm Ø or 2 mm Ø
Electrical rating	See table below
Contact configuration	SPST N/O, SPCO
Activation Point	20 mbar to 690 mbar

Operating temperature range	-5°C to +70°C
Body material	Thermoplastic
Weight	0.023 kg
Additional information	

6773 Double Diaphragm Pressure Switch **herga**

Technology Ltd

Ordering and options

6773 - A □ □ □ - A □ □ □

Model

Activation Pressure

- A 50mbar +/- 50% (0.1A & 10A) 100mbar +/- 50% (21A)

Caps

- A Side entry standard length spout, 4mm Ø standard orientation
- B Side entry standard length spout, 4mm Ø rotated to 90°
- C Side entry standard length spout, 4mm Ø rotated to 180°
- D Side entry standard length spout, 4mm Ø rotated to 270°
- E Side entry long spout, 4mm Ø standard orientation
- F Side entry long spout, 4mm Ø rotated to 90°
- G Side entry long spout, 4mm Ø rotated to 180°
- H Back entry short thread/spout, 4mm Ø Not suitable for 'O' Ring
- J Back entry long thread/spout, 4mm Ø
- K Back entry long thread/spout, 2mm Ø
- L Back entry long thread/spout, 4mm Ø rotated to 90°

Temperature Compensation Options

- A Without
- B With

Nut specification

- A Black moulded nut
- B Black moulded nut and 'O' Ring
(Only available with Cap options J, K & L above)
- Z No nut required

Tag Configuration

- A European

Terminal Combinations

- A 3 Blade QC 6.3 x 0.8 mm, SPCO
- B 2 Blade QC 6.3 x 0.8 mm, SPST N/O
- C 2 Blade QC 6.3 x 0.9 mm 90° Crank, SPST N/O

Microswitch Rating

- A 0.1A 125/250V AC, Gold contacts
(not available with option C from section above)
- B 10A 125/250V AC 1/4HP, Silver contacts
- C 21A 250V AC 2 HP, 125V AC 1 HP, Silver Contacts