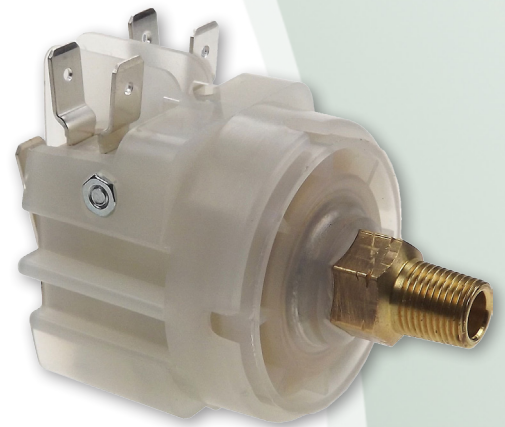


# 6741/6742 Medium Pressure Switch

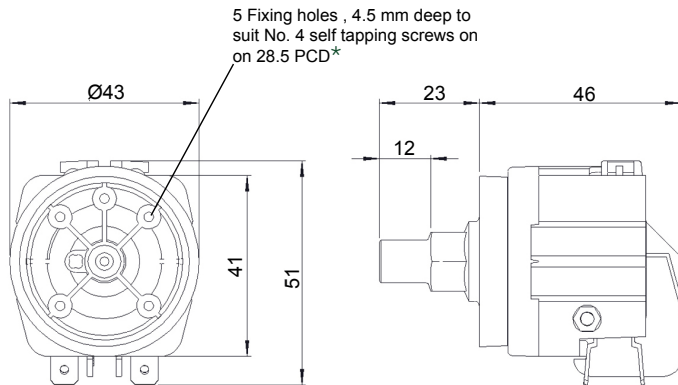
# herga

Technology Ltd

- These switches have been designed primarily for the OEM manufacturer who requires high reliability
- UL recognised versions available
- Double pole switching available as a 6742
- Wide choice of microswitch options including tag configurations
- High performance repeatability



## Reference dimensions



\* Note - Fixing holes not available in 6741 and 6742-70/80/90 models; fixing method by connector only

Stock model 6742-30

## 6741/6742 - Range options and specifications

Model part no.	6741 and 6742 -20/30/40/50/60					6741 and 6742 -70/80/90			
Pressure Range Min.	mbar	100	200	340	540	1080	1700	3100	4140
Pressure Range Max.	mbar	240	370	680	1220	2040	3790	5170	8270
Body withstand pressure	mbar	2550					10000		
Connecting tube reference	2311-01 / 2311-08 to suit Ø4 mm spout								
Diaphragm	Neoprene					Nitrile			
Mechanical life	Cycles	1 x 10 <sup>8</sup>							
Spring	Spring steel								

## Electrical data

Model	6741			6742		
Contact configuration	SPCO			DPCO		
Contact plating	Silver					
Electical life	Cycles	2 x 10 <sup>5</sup> @ 10A 1 x 10 <sup>4</sup> @ 21A				
Electrical rating	Maximum electrical load					
	Voltage (V)	Resistive (A)	Inductive (A)		Motor (Pf0.75)	
AC	125	21	8		1HP	
AC	250	21	8		2HP	
DC	6	21	21			
DC	12	15	15			
DC	24	8	7			
DC	60	1	0.5			
DC	110	0.5	0.2			
DC	220	0.25	0.1			

## General specifications

Standards/approvals	UL 508 specific models only
Degree of protection	n/a
Connection method	1/8" BSPT & NPT Brass or back & side entry spout, Ø4 mm
Electrical rating	See table
Contact configuration	See table

Operating temperature range	-5°C to +70°C
Body material	Thermoplastic
Weight	0.05 kg 6741 & 0.085 kg 6742
Additional information	Setting accuracy ±10% For very low power circuits, gold contact versions are available upon request Alternative diaphragm & spring materials available upon request

## Suitability for use with the following media:

	6741-20/30/40/50/60	6741-70/80/90
Acetone	☑	☑
Ammonia (Liquid)	☑	☑
Amyl Alcohol to 20°C	☑	☑
Automotive Brake Fluid	☑	☑
Beer	☑	☑
Benzyl Alcohol	×	☑
Butane	✓	✓
Carbon Dioxide – Dry	✓	✓
Citric Acid	✓	✓
Copper Sulphate (Sol.)	☑	☑
Compressed Air	✓	✓
Cutting Oil	☑	✓
Diesel Oil	☑	✓
Detergent Solution	☑	✓
Fuel Oil	☑	✓

- ✓ = Recommend
- ☑ = Suitable with modification
- × = Not suitable

	6741-20/30/40/50/60	6741-70/80/90
Glycol	✓	✓
Hydraulic Oil	☑	✓
Hydrogen	✓	✓
Lubricating Oil	☑	✓
Milk	☑	☑
Mineral Oil	☑	✓
Natural Gas	✓	✓
Nitric Acid (Dil.)	×	☑
Oxygen to 70°C	✓	✓
Petrol	☑	✓
Plating Solution (Chrome)	☑	☑
Salt Water	☑	☑
Sewage	☑	✓
Sulphur Dioxide	×	☑
Turpentine	☑	✓
Vinegar	☑	☑
Water	✓	✓

## 6741/6742: Mounting plate details

