

# 6311-BLE Bluetooth to USB 2.0 Housed Receiver

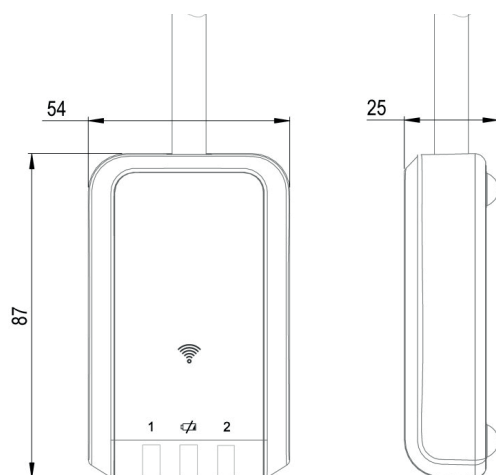


Technology Ltd

- Secure PAN (Personal Area Network), with up to 2 transmitters
- Emulates keyboard or mouse function (preset during manufacturing process)
- Plug and play technology, no additional drivers required
- Works with Windows, Linux and Mac operating systems
- 10 cm of cable as standard
- Emulation of up to 3 simultaneous keystrokes
- Ultra low power
- Range: Nominally 10 m (up to 15 m line of sight, Latency may increase with range)
- Selectable Latency:
  - Setting 1. Typically <200 ms at 10 m
  - Setting 2. Typically <100 ms at 10 m
- LED indication of battery status
- Choice of 15 or 60 minutes timeout for further battery conservation
- Auto wake from sleep/re-connect on press of the pedal



## Reference Dimensions mm



## Specifications

|                       |               |                              |   |
|-----------------------|---------------|------------------------------|---|
| Supply rating         | 20mA 5V DC    | Body material                | Thermoplastic   |
| Degree of protection  | EN 60529 IP44 | Standards/approvals          | Low Voltage Directive 2014/35/EU, REACH, RoHS & WEEE  |
| Connections           | USB           | Radio type approvals         | Europe (ETSI RED) US (FCC/CFR 47 part 15 unlicensed modular transmitter approval) Canada (IC RSS)   |
| Storage temperature   | -20 to +65°C  | Certification and compliance | Radio Equipment Directive 2014/53/EU: <ul style="list-style-type: none"> <li>• Effective use of frequency spectrum: EN 300 328</li> <li>• EMC: EN 301 489-1, EN 301 489-17, EN 61000-6-2</li> <li>• Health and safety: EN62479, EN 60950-1</li> </ul> |
| Operating temperature | 0 to +30°C    |                              |   |

The Bluetooth® word mark and logos are registered trademarks owned by Bluetooth SIG, Inc. and any use of such marks by Herga Technology is under license. Other trademarks and trade names are those of their respective owners.

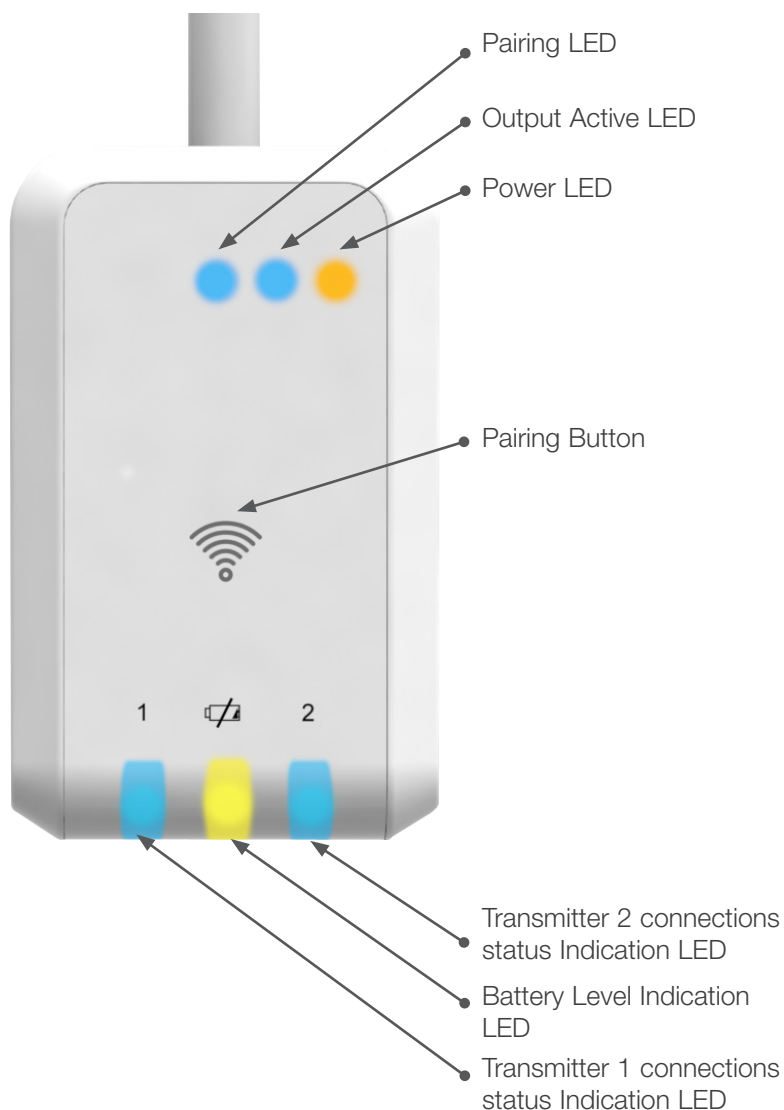


Subject to change without notice

# 6311-BLE Bluetooth to USB 2.0 Housed Receiver



Technology Ltd



Removing the rear panel gives the user access to switches for setting the latency of the system and sleep timeout of the connected transmitters

For full instructions for use of the Herga wireless footswitch systems visit [www.herga.com](http://www.herga.com)

