

6252 Heavy Duty Footswitches

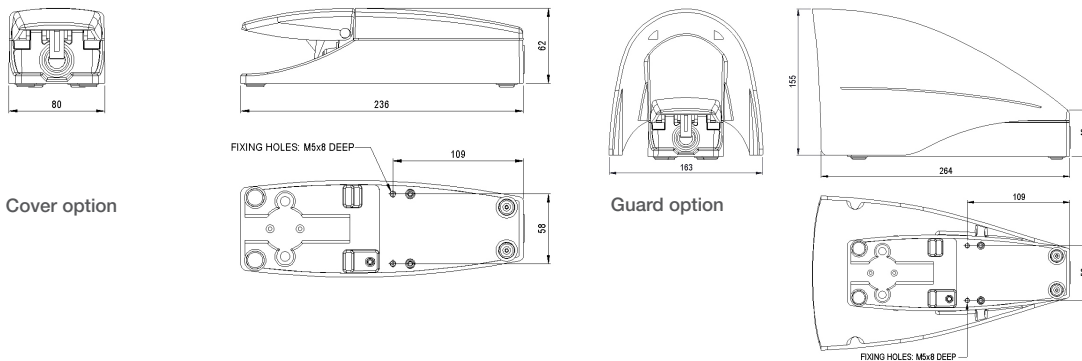
herga

Technology Ltd

- Average life expectancy 1 x 10⁶ operations
- Rugged high performing heavy duty footswitch
- Customer colours and logos available on request
- Forced break positive opening contacts
- Distinctive styling



Reference dimensions



Ordering and options

Stock models : 6252-AAAA-AAZ0
6252-BAAA-AAZ0

6252- [] [] [] A - [] [] Z []

Model

Cover and guard colours

- | | |
|----------------|----------------|
| A Cover Yellow | B Guard Yellow |
| C Cover White | D Guard White |
| E Cover Blue | F Guard Blue |

Other colours available subject to MOQ – contact sales for details

Base colour

- | | |
|---------|---------|
| A Black | B White |
|---------|---------|

Thread/Hole information

- A M20 Rear hole
- B PG 13.5 Rear hole
- C PG 13.5 Rear hole with double M20 side holes
- D PG 13.5 Rear hole with double PG 13.5 side holes

Tread colour

- A Black

Action/Electrical rating

- AA DPST Single Operation, Slow Break & Make ; AC-15 6A 250V
- BB DPST Single Operation, Snap Break & Make ; AC-15 6A 250V
- DB 4PST Double Operation, Snap Break & Make ; AC-15 6A 250V
- EA 4PST Double Operation, Slow Break & Make ; AC-15 6A 230V
- MB DPST + DPST staggered Double Action (High Force), Snap Break & Make ; AC-15 6A 230V

Emergency stop

- Z No emergency stop fitted

Double pedal versions with/without guard available, to find out more, talk to our sales department.



6252 Heavy Duty Footswitches

herga

Technology Ltd

General specifications

Standards/approvals	EN60204-1 with switching to meet EN60947-5-1, VDE 0660 pt 200, IEC 947-5-1	Operating temperature range	-25°C to +60°C
Degree of protection	EN 60529 IP67 (IP68 upon request)	Body material	Die cast aluminium
Connection method	Screw terminals, stripped cable cores or connector of your choice	Weight	Cover/unguarded 1Kg or 1.5Kg guarded
Electrical rating	See table below	Average mechanical life	1 x 10 ⁶ operations
Contact configuration	See table below	Additional information	the electrical housing has an environmental rating of IP67. To achieve this, a minimum torque of 1.7N should be applied to the two enclosure screws

	Options A & B in electrical rating section					Options D in electrical rating section	
Rated operating voltage	500V AC, over 380V AC same potential only						
Rated operational current	AC 40 - 60 Hz		DC		AC 50 - 60 Hz		
	Le/AC-12 (A)	Ue (V)	Le/AC-15 (A)	Ue (V)	Le/DC-12 (A)	Ue (V)	Le/AC-15 (A)
	10	24	10	24	10	230	3
	10	125	10	48	6		
	10	230	6	110	4		
	10	400	4	220	1		
	10	500	3	440	0.5		
Limit switches also available with gold contacts							

Note: When the footswitch is supplied with a pre-wired cordset, the cordset rating takes precedence over the footswitch rating. The rating will be marked on the cordset

Electrical Life Expectancy at Category AC-15	0.5 X 10 ⁶ switching cycles when interrupting 6A AC-15 at 250V				
Contact configuration	Normally open + normally closed positive opening operation to EN 60947-5-1				
Contact Gap	>3mm, suitable for mains isolation				
Terminals	Screw terminals and self-lifting clamp for connection of flexible leads; min. 2 x 1.5 mm ² - max. 2 x 2.5 mm ²		Screw terminals for connection of flexible lead wire; min. 1 x 0.5 mm ² - max. 2 x 2.5 mm ²		
Action Type from Order Code	A	B	D	E	MB
Limit switch action	1 Pole Slow Make Slow Break	1 Pole Snap Action	2 Pole Snap Action	2 Pole Slow Make Slow Break	Double snap action

In all applications except where protective extra low voltage (PELV) circuits are being switched, an earth conductor must be installed. The earth conductor should be rated in accordance with the prevailing standards.

