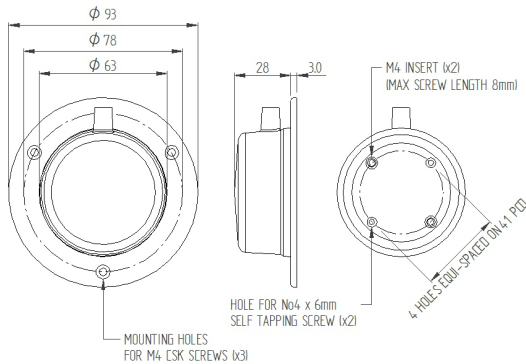


# 6240 Footswitch

- Ideal for hand or foot operation
- Tough flexible cover
- Choice of colours (others available)
- Change over contact variant
- Available with plastic base plates for added stability or permanent fixing or additionally with anti-slip rubber or foam pads



## Reference dimensions



## Ordering and options

Stock models : 6240-AFAA-ZA00  
6240-DFAA-ZA00

6240 - [ ] [ ] [ ] [ ] - [ ] [ ] [ ] [ ] [ ] [ ]

### Model

#### Colour option -

- |         |             |
|---------|-------------|
| A Black | D Red       |
| B Grey  | E Brown/Tan |
| C White | F Green     |

#### Mounting option -

- |  |  |
|--|--|
| C No mounting plate but with M4 inserts fitted | G Black plastic plate without mounting holes         |
| D Grey plastic plate with mounting holes       | H Chrome plated plastic plate with mounting holes    |
| E Grey plastic plate without mounting holes    | J Chrome plated plastic plate without mounting holes |
| F Black plastic plate with mounting holes      | Z No mounting plate or inserts supplied              |

#### Contact configuration

- |            |                               |
|------------|-------------------------------|
| A SPST N/O | C SPCO (3-core cable minimum) |
| B SPST N/C |                               |

#### Cable length

- |      |       |
|------|-------|
| A 2m | C 5m  |
| B 3m | D 10m |

#### IP40 cordset rating

- |   |   |
|---|---|
| A 3A 24V AC/DC, 2-core black cable, silver contacts | F 0.1A 24V AC/DC, 3-core black cable, gold contacts |
| C 0.1A 24V AC/DC, 2-core black cable, gold contacts | Z No option chosen                                  |
| D 3A 24V AC/DC, 3-core black cable, silver contacts |   |

#### IP67 cordset electrical rating

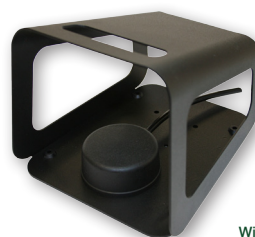
- |   |   |
|---|---|
| A 3A 24V AC/DC, 2-core black cable, silver contacts | F 0.1A 24V AC/DC, 3-core black cable, gold contacts |
| C 0.1A 24V AC/DC, 2-core black cable, gold contacts | Z No option chosen                                  |
| D 3A 24V AC/DC, 3-core black cable, silver contacts |   |

## General specifications

|                              |  |                                    |  |
|------------------------------|--|------------------------------------|--|
| <b>Standards/approvals</b>   | Low voltage directive 2014/35/EU                 | <b>Operating temperature range</b> | -5°C to +40°C  |
| <b>Degree of protection</b>  | EN 60529 IP67 (IP68 upon request)                | <b>Body material</b>               | Thermoplastic  |
| <b>Connection method</b>     | Stripped cable cores or connector of your choice | <b>Weight</b>                      | 0.25 kg  |
| <b>Electrical rating</b>     | SPST N/O, SPST N/C, SPCO                         | <b>Additional information</b>      | 250V AC versions available upon request<br>Non mounting hole versions supplied with foam pad |
| <b>Contact configuration</b> | See table below                                  |                                    |  |
| <b>Pressure range</b>        | n/a  |                                    |  |

## Accessories

| Part Number | Description                 |
|-------------|-----------------------------|
| 6202-0001   | Single Black RAL 9005 guard |
| 6202-0002   | Single Grey RAL 7035 guard  |
| 6202-0003   | Twin Grey RAL 7035 guard    |



With 6202 Guard