

6229 Industrial Footswitch

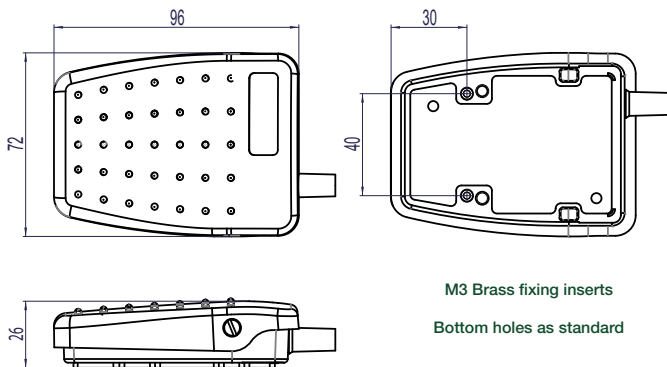
herga

Technology Ltd

For IPX7 single pole switching

- Low profile, rear hinged switch designed for improved user comfort
- All plastic construction with raised tread pattern and anti-slip pad
- Versatile and innovative design make it an ideal product for OEM use
- Switches designed to meet industrial/office/commercial standards
- Increased temperature range of -20 to +80°C

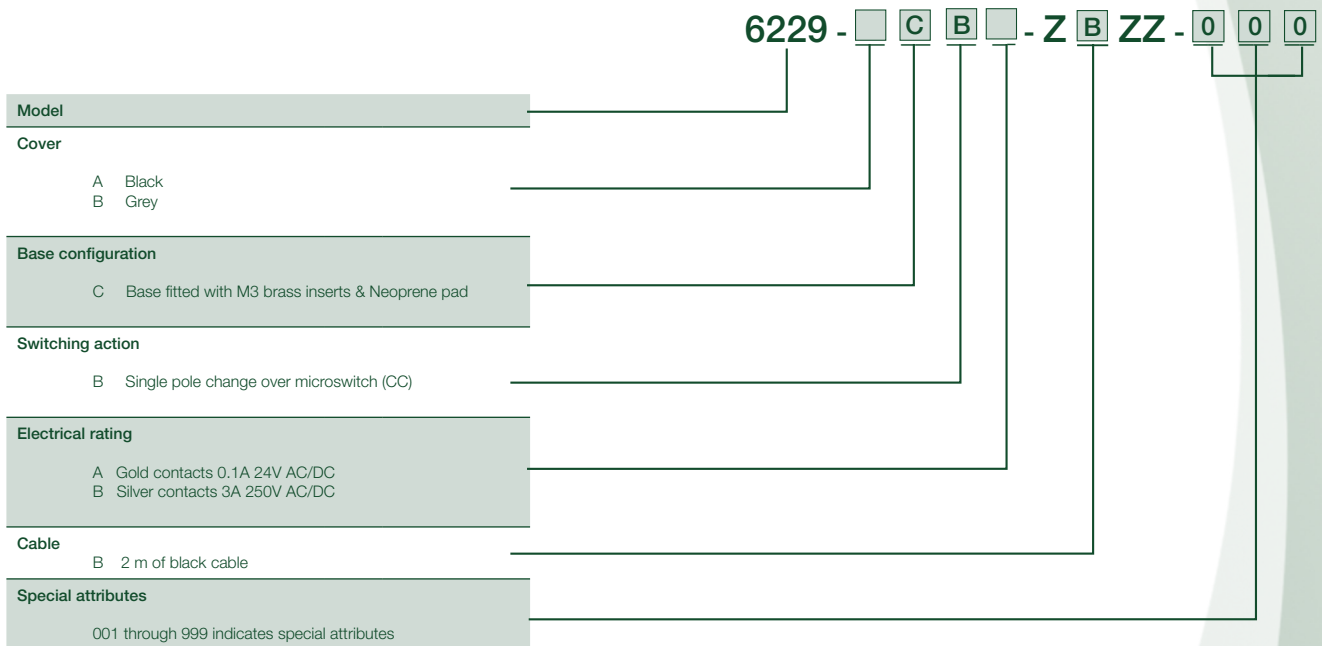
Reference dimensions



General specifications

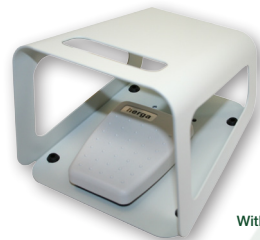
Standards/approvals	Footswitch: Low voltage directive 2014/35/EU, EN 60950	Operating temperature range	-20°C to +80°C
Degree of protection	EN 60529 IPX7	Body material	Thermoplastic
Connection method	2 m of cable with stripped cable cores	Weight	0.14Kg (including cable)
Electrical rating	Max. 3A 250V AC/DC	Additional information	Customized versions available (logos, cordsets, colours, guards)
Contact configuration	SPCO		

6229: Ordering and options



Accessories

Part Number	Description
6202-0001	Single Black RAL 9005 guard
6202-0002	Single Grey RAL 7035 guard
6202-0003	Twin Grey RAL 7035 guard



With 6202 Guard