

6226-0061 Single pedal footswitch & puckswitch with base

herga

Technology Ltd

Special single-pedal version of 6226 series footswitch with 6241 puckswitch assembled in modular base system with IPX7 rating

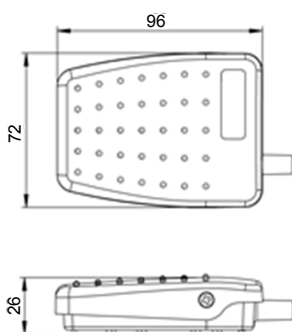
Product description

- Fitted with 6226-BABB-ZZZA-0011 footswitch
- Fitted with 6241-BBAB-BAZZ-003 puckswitch
- Grey footswitch and puckswitch with moulded grey modular base system
- With Herga logo on footswitch
- Complete with 2m of cable and Heyco gland
- Rated IPX7
- Footswitch electrical rating: 1.75A 24V AC/DC
- Puckswitch electrical rating: 50mA 24 VDC
- Wired normally open

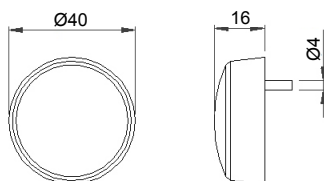


Reference dimensions mm

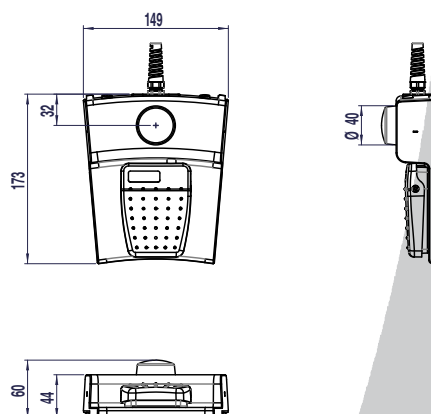
Footswitch



Puckswitch



Modular base



General specifications

Standards/approvals	Footswitch & Puckswitch: EN 60950, EN 60601-1:2006, UL 60601-1:2005, ANSI/AAMI ES60601-1:2005/(R)2012, CSA-C22.2 No 60601-1:14, UL File No E353500	Operating temperature range	+10°C to +50°C
Degree of protection	EN 60529 IPX7 (IPX8 upon request)	Storage temperature range	+10°C to +50°C
Connection method	2m of 3-core cable and Heyco gland	Body material	Thermoplastic
Electrical rating	Footswitch - 1.75A 24V AC/DC Puckswitch - 50 mA 24 VDC (operating force <10N)	Weight	0.6 kg (including cable)
Contact configuration	Normally Open contacts	Additional information	Footswitch - Customized versions available (logos, cordsets, colours, guards) Base - Lift bars, guards and cable exit options as well as handles, dividers and steel base plate.

Optional accessories



- Bluetooth® switching versions available
- Lift bars, guards and cable exit options can be specified
- Handles, dividers and steel base plate options