

6226-0060

Single pedal footswitch with modular base

herga

Technology Ltd

Special single-pedal version of 6226 series footswitch assembled in modular base system with IPX7 rating

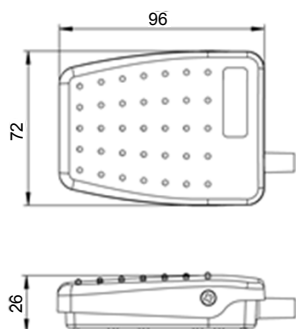
Product description

- Fitted with 6226-BABB-ZZZA-0011 footswitch
- Grey footswitch with moulded grey modular base system
- With Herga logo on footswitch
- Complete with 2m of cable and Heyco gland
- Rated IPX7
- Footswitch electrical rating: 1.75A 24V AC/DC
- Wired normally open

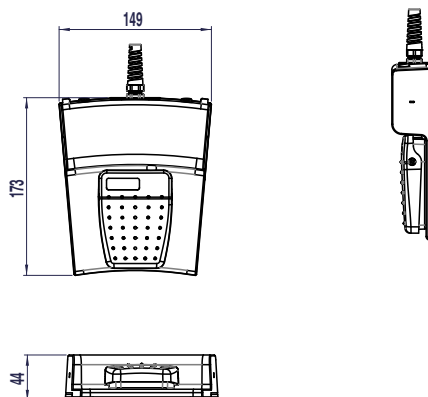


Reference dimensions mm

Footswitch



Modular base



General specifications

Standards/approvals	Footswitch: EN 60950, EN 60601-1:2006, UL 60601-1:2005, ANSI/AAMI ES60601-1:2005/(R)2012, CSA-C22.2 No 60601-1:14, UL File No E353500	Operating temperature range	-20°C to +60°C
Degree of protection	EN 60529 IPX7 (IPX8 upon request)	Storage temperature range	-20°C to +70°C
Connection method	2m of 2-core cable and Heyco gland	Body material	Thermoplastic
Electrical rating	1.75A 24V AC/DC	Weight	0.5 kg (including cable)
Contact configuration	Normally Open contacts	Additional information	Footswitch - Customized versions available (logos, cordsets, colours, guards) Base - Lift bars, guards and cable exit options as well as handles, dividers and steel base plate.

Optional accessories



- Bluetooth® switching versions available
- Lift bars, guards and cable exit options can be specified
- Handles, dividers and steel base plate options



Herga Technology Ltd - Northern Way - Bury St. Edmunds - Suffolk - IP32 6NN - UK
sales@herga.com • www.herga.com • +44 (0)1284 701422

Subject to change without notice