

# 6226 - 0003 Foot Switch

# herga

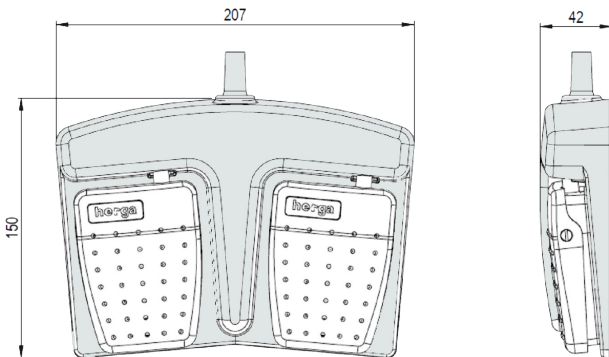
Technology Ltd

Special double-pedal version of 6226 series footswitch with IPX7 rating

- Low profile, rear hinged switch designed for improved user comfort
- Grey cover with Herga logo fitted on a black base
- Fitted to a black moulded 2 pedal base
- Momentary action with normally open contacts
- Option for customers to fit own cable



## Reference dimensions



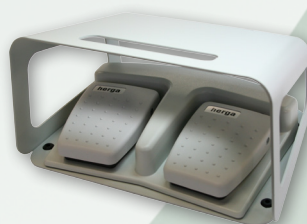
The 6226-0003 is a stock model

## General specifications

Standards/approvals	Footswitch: EN 60950, EN 60601-1:2006, UL 60601-1:2005, ANSI/AAMI ES60601-1:2005/(R)2012, CSA-C22.2 No 60601-1:14, UL File N° E353500	Operating temperature range	-20°C to +60°C
Degree of protection	EN 60529 IPX7	Body material	Thermoplastic
Connection method	2 metres of 3-core cable	Weight	550 grams (including cable)
Max. electrical rating	3A 24VAC/DC	Additional information	Customized versions available (logos, cordsets, colours, guards)
Contact configuration	Normally Open contacts		
Action	Momentary		

## Accessories

Part Number	Description
6202-0001	Single Black RAL 9005 guard
6202-0002	Single Grey RAL 7035 guard
6202-0003	Twin Grey RAL 7035 guard



With 6202 Guard