

6225-BBEB-ZZZA-001

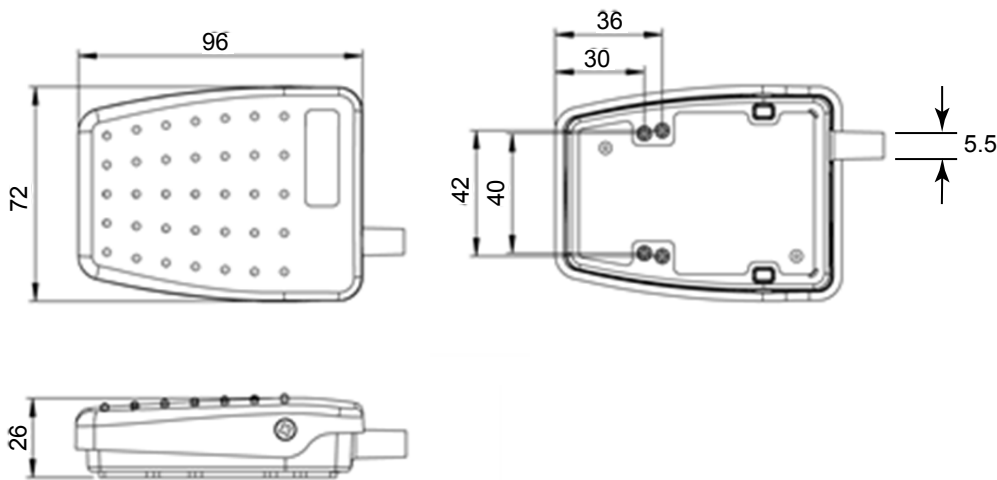


Light Duty - Single Footswitch
 Cost effective range - ex stock delivery

- UL & IEC 60601-1 approved – For medical applications
- Low profile, rear hinged switch designed for improved user comfort
- All plastic construction with raised tread pattern and anti-slip pad
- Versatile and innovative design make it an ideal product for OEM use



Reference dimensions



6225-BBEB-ZZZA-001 General specifications

Standards/approvals	UL file reference E353500 ANSI/AAI ES60601-1, A1:2012, C1:2009/(R) 2012 and A2:2010 (R) 2012 CSA CAN/CSA-C22.2 No 60601-1-14 IEC 60601-1 Ed 3.1 (2012) EN 60601-1:2006 & A1:2013 & A12:2014 BS EN 62368-1:2014 & A11:2017
Degree of protection	EN 60529 IPX2
Connection method	Solder tag microswitch, no cable fitted (max cable dia. 5.5)
Electrical rating	3A 24V AC/DC
Contact configuration	SPCO (Single pole changeover), Momentary action
Operating temperature range	-20°C to +60°C
Body material	Thermoplastic
Weight	0.12Kg
Additional information	Grey cover, black base

Minimum delivered batch quantities - 100 pcs

Accessories

Part Number	Description
6202-0001	Single Black RAL 9005 guard
6202-0002	Single Grey RAL 7035 guard
6202-0003	Twin Grey RAL 7035 guard



With 6202 Guard



Herga Technology Ltd - Northern Way - Bury St. Edmunds - Suffolk - IP32 6NN - UK
 sales@herga.com • www.herga.com • +44 (0)1284 701422

Subject to change without notice