

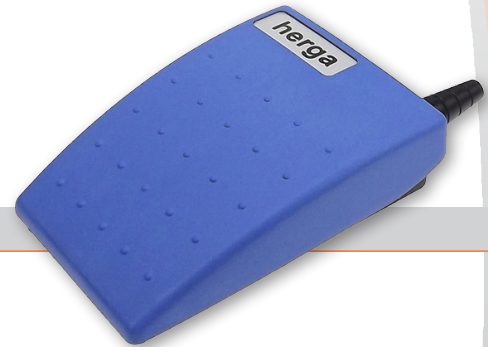
6223 Leptron Foot/Palm Switches

herga

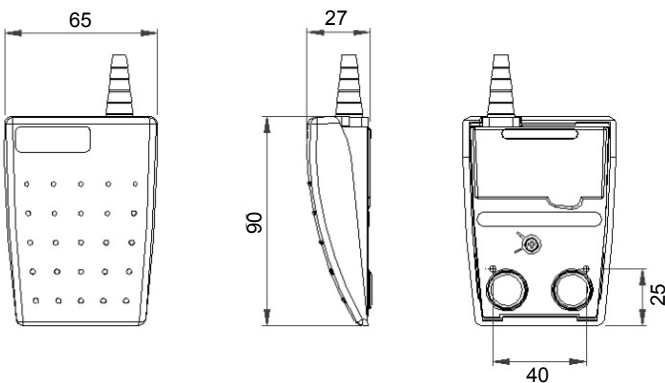
Technology Ltd

For IPX2 single pole switching

- Low profile switch designed for improved user comfort
- All plastic construction with raised tread pattern, ideal for palm or foot operation
- Versatility and innovative design make it an ideal product for OEM use
- Switches designed to meet medical, industrial/office/commercial standards
- Option for customers to fit own cables



Reference dimensions



General specifications

Standards/approvals	UL file reference E353500 ANSI/AAI ES60601-1, A1:2012, C1:2009/(R) 2012 and A2:2010 (R) 2012 CSA CAN/CSA-C22.2 No 60601-1-14 IEC 60601-1 Ed 3.1 (2012) EN 60601-1:2006 & A1:2013 & A12:2014 BS EN 62368-1:2014 & A11:2017
Degree of protection	EN 60529 IPX2
Connection method	Stripped cable cores or connector of your choice
Electrical rating	See table page 2
Contact configuration	SPST N/O, SPST N/C, SPCO

Operating temperature range	-5°C to +40°C
Body material	Thermoplastic
Weight	0.212Kg (including cable)
Additional information	Customized versions available (logos, cordsets, colours, guards)



6223 Leptron Foot/Palm Switches

For IPX2 single pole switching

Ordering & Options

6223 - [] [] [] B [] [] [] [] [] 0 0

Model

Cover & base colours

- | | | | |
|---|---------------------------|---|--------------------------|
| A | Black cover & Black base | F | Black cover & Grey base |
| B | Grey cover & Black base | G | Grey cover & Grey base |
| C | Yellow cover & Black base | H | Yellow cover & Grey base |
| D | Green cover & Black base | J | Green cover & Grey base |
| L | Blue cover & Black base | M | Blue cover & Grey base |

Base configuration

- A Base fitted with M3 brass inserts / no guard fitted
- Z No inserts or guard fitted

Switching operation

- A SPST N/O
- B SPCO
- E SPCO switch supplied without cable

Approvals

- B IEC 60601-1 and UL 60601-1

IEC 60601-1 & UL 60601-1, 2 and 3 core cordsets

- | | | | |
|------|---------------------------------|------|---------------------------------|
| AZAZ | 2-core grey, 1.75A 24V | ZAZA | 3-core grey, 1.75A 24V |
| BZBZ | 2-core grey, 0.1A 24V | ZBZB | 3-core grey, 0.1A 24V |
| CZCZ | 2-core black, 1.75A 24V | ZCZC | 3-core black, 1.75A 24V |
| DZDZ | 2-core black, 0.1A 24V | ZDZD | 3-core black, 0.1A 24V |
| EZEZ | 2-core grey screened, 1.75A 24V | ZEZE | 3-core grey screened, 1.75A 24V |
| FZFZ | 2-core grey screened, 0.1A 24V | ZFZF | 3-core grey screened, 0.1A 24V |
| | | ZZZZ | No option chosen |

Non cable variants, customer fitted cables, IPX2 components

- A Microswitch fitted; SPCO 16A 24V, 6.3mm x 0.8 mm push-on tag
- C Microswitch fitted; SPCO 16A 24V, 6.3mm x 0.8 mm solder tag
- D Microswitch fitted; SPCO 0.1A 24V 6.3mm x 0.8 mm solder tag
- Z No option chosen

Special attributes

- Customer specified/supplied cordset for factory fitting with or without plug
- Customer specified identification and label combination - the suitability may not be covered by UL
- Guard fitted
- Cable length variation if different from 2m
- Z indicates no option provided