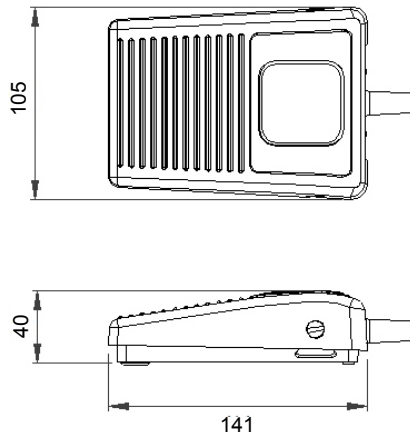


For IPX7 single pole switching

- Economic/versatile plastic switch designed to reduce operator fatigue
- Pneumatic version available, please refer to Airswitching section for details
- Ideal for repetitive use with office equipment, domestic/medical appliances and general industrial applications
- Increased temperature range of -20 to +80°C

Reference dimensions



General specifications

Standards/approvals	Footswitch: low voltage directive 2014/35/EU, EN 60950 Microswitch: EN 61058-2-1, EN 61058
Degree of protection	EN 60529 IPX7
Connection method	2M of black cable with stripped cable cores
Electrical rating	Max.3A 250V AC/DC
Contact configuration	SPCO

Operating temperature range	-20°C to +80°C
Body material	Thermoplastic
Weight	0.375Kg
Additional information	Customised versions available (Logo's, Guards etc.)

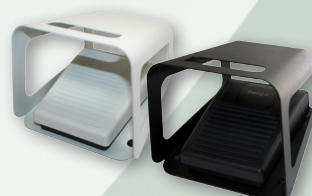
6219: Ordering and options

6219 - [] Z B [] - Z B ZZ - 0 0 0

Model	
Cover	A Black B Grey
Switching action	B Single pole change over microswitch (CC)
Electrical rating	A Gold contacts 0.1A 24V AC/DC B Silver contacts 3A 250V AC/DC
Cable	B 2 m black cable
Special attributes	001 through 999 indicates special attributes

Accessories

Part Number	Description
6202-0001	Single Black RAL 9005 guard
6202-0002	Single Grey RAL 7035 guard
6202-0003	Twin Grey RAL 7035 guard



With 6202 Guard