

6210-BLE2-003 Bluetooth Transmitter with Redundant Function

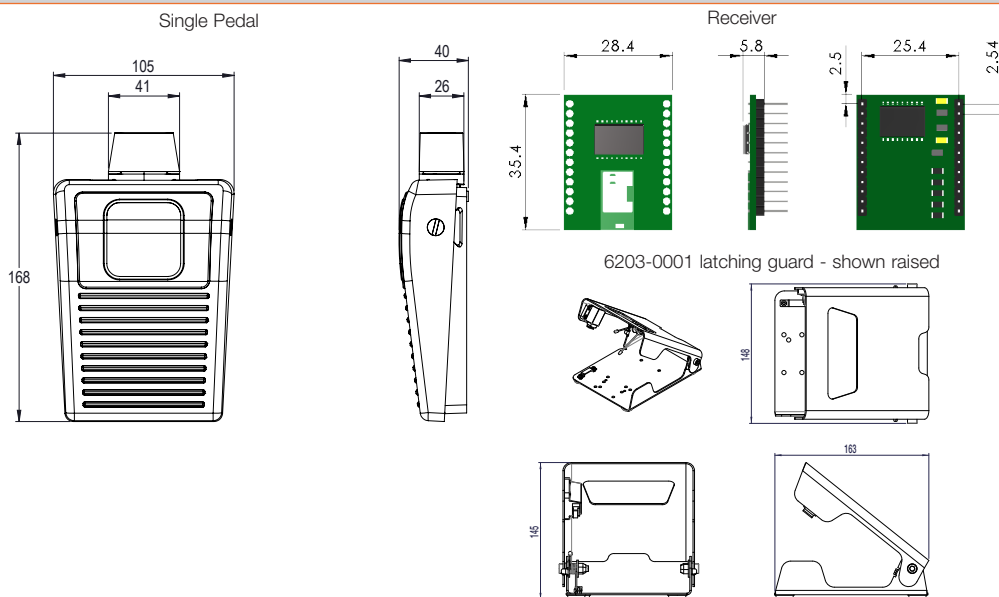
herga

Technology Ltd

- UL 60601- approved
- Double pole N/O, extra micro for redundant function
- Secure PAN (Personal Area Network), with up to 2 transmitters
- Ultra low power with 1µA sleep current
- Range: Nominally 10 m (up to 15 m line of sight, Latency may increase with range)
- Selectable Latency:
 - Setting 1. Typically <200 ms at 10 m
 - Setting 2. Typically <100 ms at 10 m
- LED indication of battery status
- Choice of 15 or 60 minutes timeout for further battery conservation
- Auto wake from sleep/re-connect on press of the pedal
- Externally accessible IPx7 battery compartment
- Runs on commercially available Alkaline cells
- Fitted to 6203-0001 latching guard



Reference Dimensions mm



Specifications

Supply rating	Receiver: 5 - 24V DC Footswitch: 2 x AAA Alkaline batteries
Output configuration	Open collector transistor outputs, (24V DC 100mA Max.)
Degree of protection	EN 60529 IPx7
Connections	Receiver connections via 2.54 mm pitch PCB pin header, suitable for connections to LEDs and push button or microcontrollers: <ul style="list-style-type: none"> • Transistor Output • 1 pairing button Input • 1 pairing process indication output • 1 battery level indication output • 2 transmitter connection status indication outputs • Sleep timeout select input • Latency Select Input, typically <100ms or <200ms for extended battery life • Power Connections

Operating temperature	0 to +40°C
Body material	Thermoplastic
Standards/approvals	UL 60601-1 approved, UL file number E353500 Low Voltage Directive 2014/35/EU, REACH, RoHS & WEEE
Radio type approvals	Europe (ETSI RED) US (FCC/CFR 47 part 15 unlicensed modular transmitter approval) Canada (IC RSS)
Certification and compliance	Radio Equipment Directive 2014/53/EU: <ul style="list-style-type: none"> • Effective use of frequency spectrum: EN 300 328 • EMC: EN 301 489-1, EN 301 489-17, EN 61000-6-2 • Health and safety: EN62479, EN 60950-1 Medical Device Directive 93/42/EEC: <ul style="list-style-type: none"> • EN 60601-1-2 Compliant (Customer's risk assessment required) • EN 60601-1, UL file number E353500

The Bluetooth® word mark and logos are registered trademarks owned by Bluetooth SIG, Inc. and any use of such marks by Herga Technology is under license. Other trademarks and trade names are those of their respective owners.

