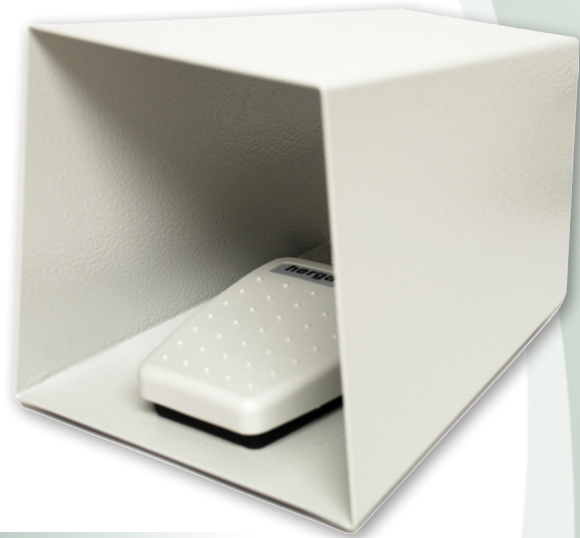


6201 Guard

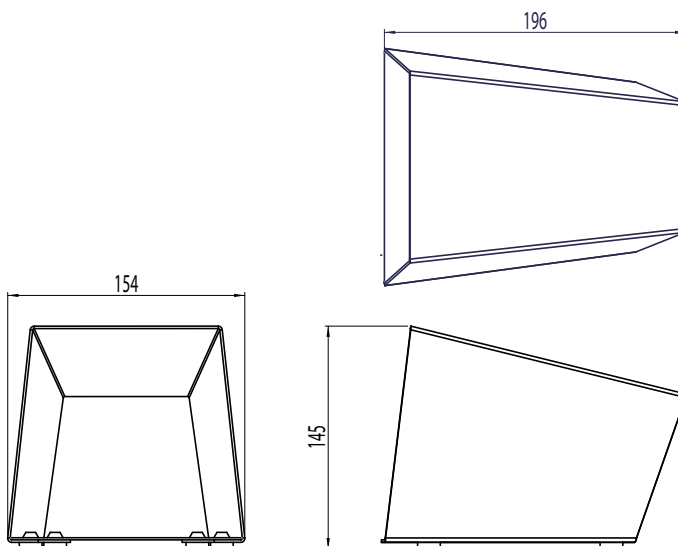
herga

Technology Ltd

- Metal painted protective guard
- Suitable for 6210, 6219, 6225, 6226, 6229, 6254 & 6289 footswitches
- Available in Black or Grey RAL 7035
- Fitted with non-slip rubber feet
- Mild steel with a painted finish



Reference dimensions



Ordering information

Part Number	Description
6201-0002	Black painted guard
6201-0007	RAL 7035, light grey painted guard