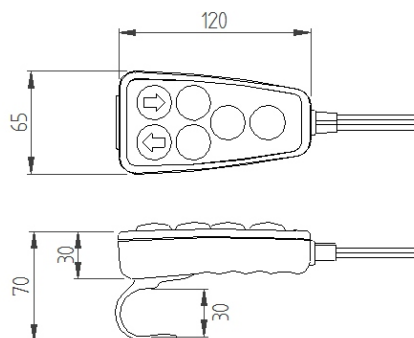


6310 Pneumatic Hand Controls

PRODUCT IMAGE



LINE DRAWING



BENEFITS

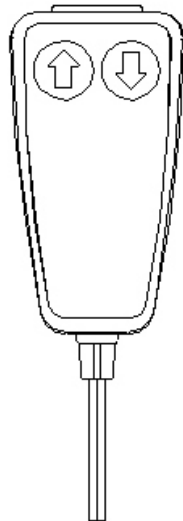
- 2,4 & 6 way variants
- ergonomic design for comfort
- choice of curly or straight tubing
- soft touch buttons
- various colours & layout options
- suitable for use with 6891 airswitches
- inherently waterproof

SPECIFICATIONS

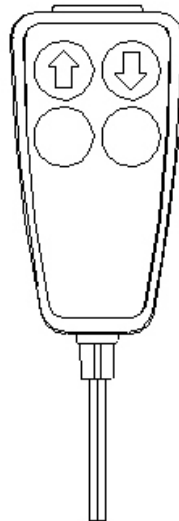
standards/approvals	n/a
degree of protection	n/a
connection method	1.5mm I/D tube for use with airswitches with 2mm spouts
electrical rating	n/a
contact configuration	n/a
pressure range	n/a
operating temperature	-5°C to +40°C with temperature compensated airswitches
body material	thermoplastic
weight	0.15Kg
additional information	various button colours and designs available, hook optional

6310 Pneumatic Hand Controls

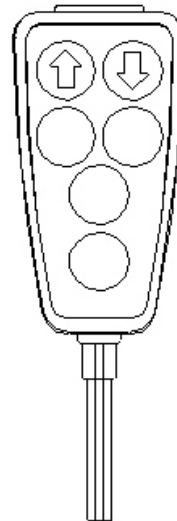
2 BUTTON VERSION



4 BUTTON VERSION



6 BUTTON VERSION



ADDITIONAL INFORMATION

- body available in grey or black
- button colour options
- choice of curly coil & straight tubing
- plain or arrow button options
- connector options